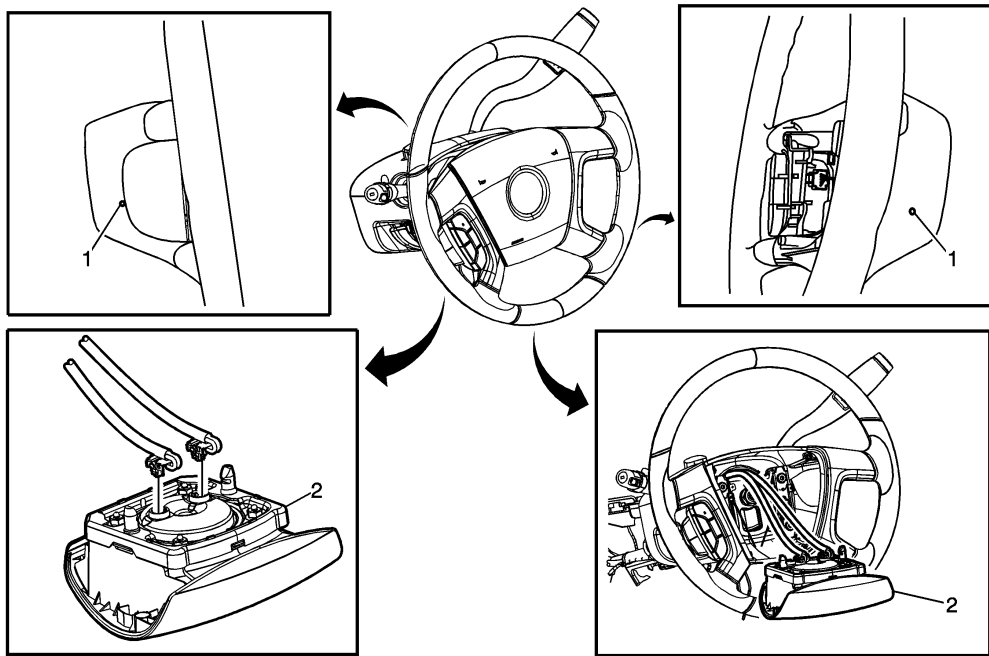


## Inflatable Restraint Steering Wheel Module Replacement



| Callout   | Component Name   |
|---|--|
| <p><b>Caution:</b> Refer to <a href="#">SIR Inflator Module Handling and Storage Caution</a> in the Preface section.</p> <p><b>Caution:</b> Refer to <a href="#">SIR Caution</a> in the Preface section.</p> <p><b>Preliminary Procedure</b></p> <p>Disable the supplemental inflatable restraint (SIR) system. Refer to <a href="#">SIR Disabling and Enabling</a> .</p> |  |
| 1   | <p>Retainer</p> <p><b>Procedure</b></p> <p>On the back side of the steering wheel, there are 2 access holes. Using a 3-4 mm T handle allen wrench , insert in a cross car (Horizontally) direction and slightly outboard (handle towards I/P) push in 40mm (1 1/2in) to engage release spring.</p> |

|   |   |
|---|---|
| 2 | <p>Steering Wheel Inflatable Restraint Module</p> <p><b>Procedure</b></p> <ol style="list-style-type: none"><li>1. Release the connector position assurance (CPA) retainer.</li><li>2. Disconnect the electrical connectors.</li><li>3. Fully deploy the module before disposal. If the module was replaced under warranty, fully deploy and dispose of the module after the required retention period. Refer to <a href="#">Inflator Module Handling and Scrapping</a> .</li></ol> |
|---|---|