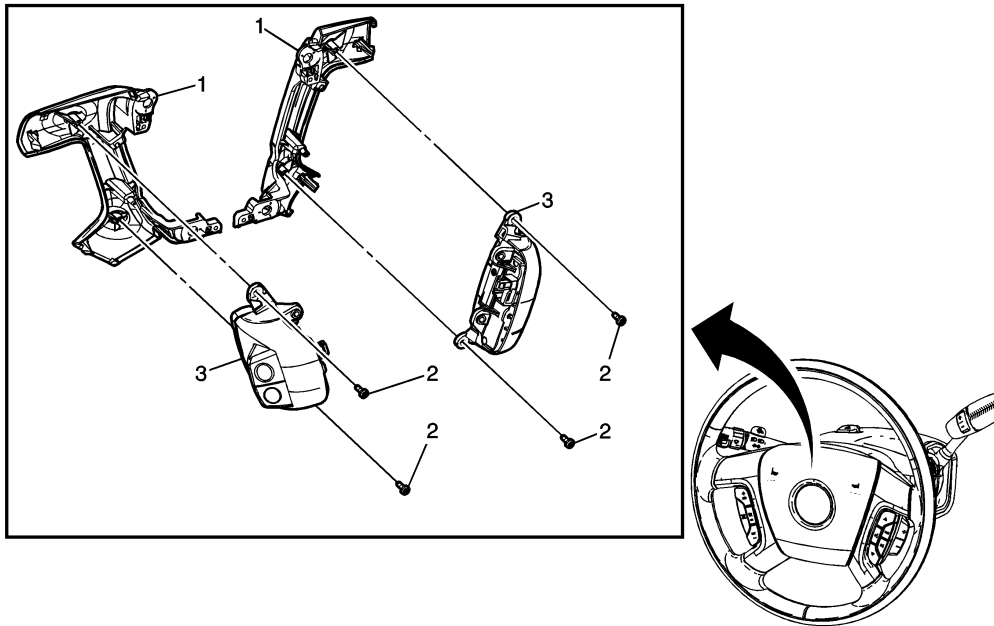


Steering Wheel Control Switch Assembly Replacement



Callout	Component Name
<p>Caution: Refer to SIR Caution in the Preface section.</p> <p>Preliminary Procedure</p> <ol style="list-style-type: none"> 1. Disable the supplemental inflatable restraint (SIR) system. Refer to SIR Disabling and Enabling . 2. Remove the horn switch. Refer to Steering Wheel Horn Switch Replacement . 	
1	<p>Steering Wheel Trim Cover (Qty: 2)</p> <p>Procedure</p> <p>Remove the 4 horn contact screws.</p>
2	<p>Steering Wheel Control Switch Assembly Screw (Qty: 4)</p> <p>Notice: Refer to Fastener Notice in the Preface section.</p> <p>Tip</p> <p>Quantity may vary with vehicle options.</p> <p>Tighten</p> <p>1 N·m (9 lb in)</p>

3	<p>Steering Wheel Control Switch Assembly (Qty: 2)</p> <p>Tip</p> <ul style="list-style-type: none">• Quantity may vary with vehicle options.• Ensure the steering wheel control switch(s) are properly seated to the steering wheel shroud during installation.
---	--